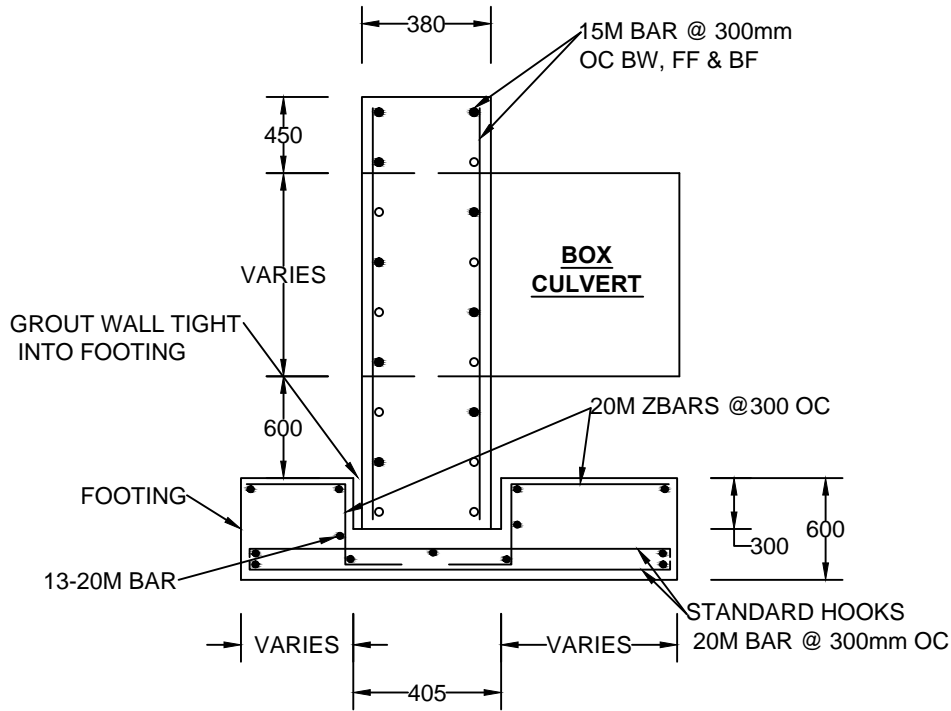
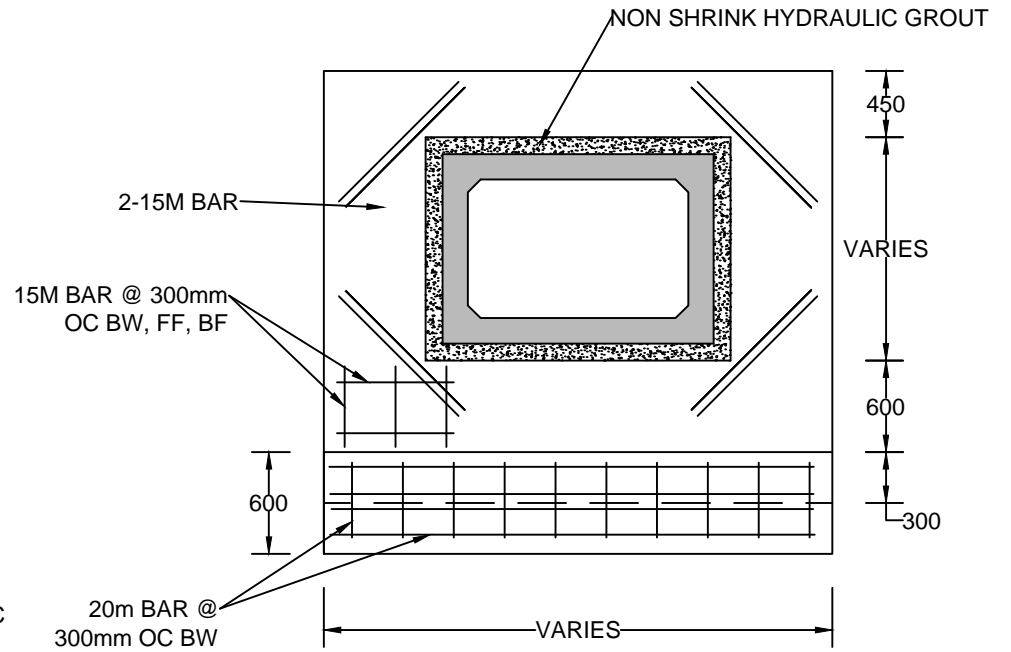


SK.1



SK.2



NOTES:

- A. CONCRETE TO BE 30MPA COMPRESSIVE STRENGTH AT 28 DAYS WITH 5-8% AIR ENTRAINMENT.
- B. REINFORCING BARS TO HAVE 75mm COVER.
- C. OPSD 3940.150 "DANGER KEEP OUT" INCLUDED
- D. FOOTING TO BE SUPPORTED ON UNDISTURBED SOIL CAPABLE OF SAFELY SUPPORTING MIN. 150 KPA (3000PSF) SERVICE.
- E. GRANULAR BACKFILL TO BE PLACED TO 300mm MINIMUM THICKNESS ON ALL SIDES.
- F. GROUT IN OPENING AROUND PIPE AND LIFTING POCKETS WITH NON SHRINK HYDRAULIC GROUT.
- G. ALL DIMENSIONS ARE IN mm UNLESS OTHERWISE SHOWN.



INTERNATIONAL EROSION CONTROL SYSTEMS

22253 Hoskins Line
Rodney, ON, N0L 2C0

Phone: 800-821-7462
Fax: 866-496-1990

www.iecs.com

PRECAST CONCRETE HEADWALL

CONFORMS TO OPSD 804.020

DRAWN BY:

D. J

CHECKED BY:

L. A

SCALE: N.T.S

DATE: 02/27/14

SHEET 1 OF 1