

FRONT VIEW

- NOTES:
- A. CONCRETE TO BE 30MPA COMPRESSIVE STRENGTH AT 28 DAYS WITH 5-8% AIR ENTRAINMENT.
 - B. REINFORCING BAR TO HAVE 75mm COVER \pm 20mm.
 - C. 25mm CHAMFERS ON ALL EXPOSED EDGES.
 - D. OPSD 3940.150 INCLUDED.
 - E. PRECAST CONCRETE CHUTE BLOCKS 300X200X100mm HIGH (OPTIONAL).
 - F. GRANULAR BACKFILL TO BE PLACED TO 300mm MINIMUM THICKNESS ON ALL SIDES.
 - G. GROUTING IS REQUIRED AROUND PIPE AND LIFTING POCKETS.
 - H. ALL DIMENSIONS IN mm UNLESS OTHERWISE SHOWN.



INTERNATIONAL EROSION CONTROL SYSTEMS

22253 Hoskins Line
Rodney, ON, N0L 2C0

Phone: 800-821-7462
Fax: 866-496-1990

www.iecs.com

PRECAST CONCRETE HEADWALL (4 PIECE) CONFORMS TO OPSD 804.040

DRAWN BY:

D. JOHNSTON

CHECKED BY:

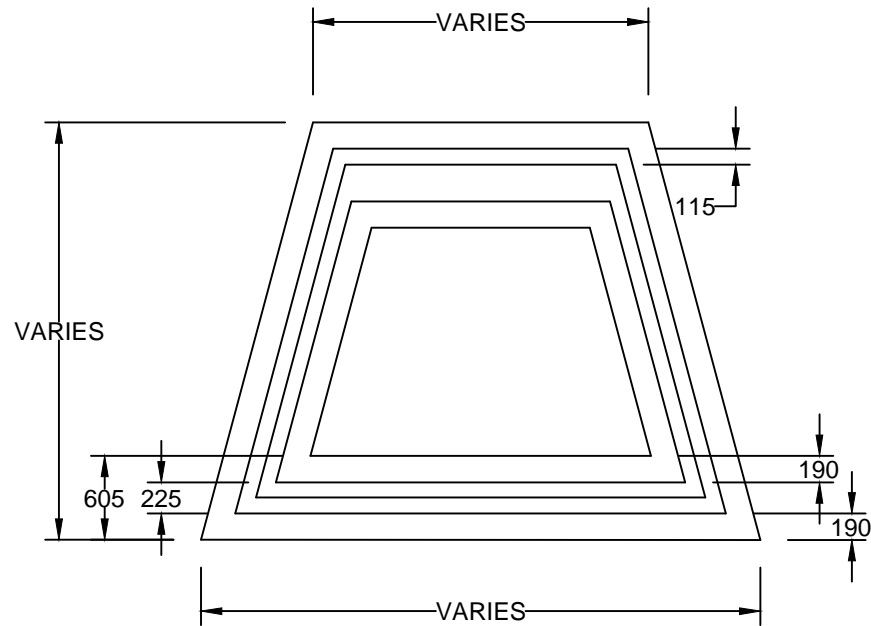
L. ARVAI

SCALE: N.T.S

DATE: 03/19/13

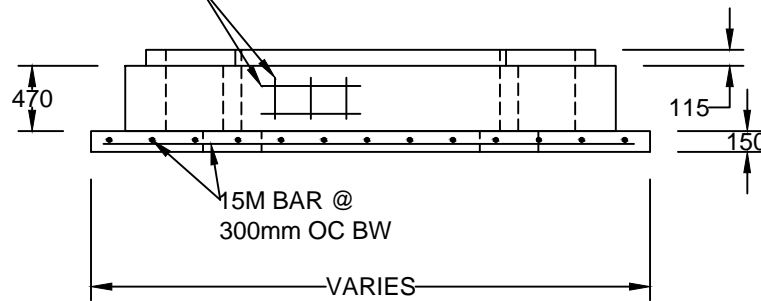
SHEET 1 OF 5

SECTION A



TOP VIEW

15M BAR @ 300mm OC BW



FRONT VIEW

INTERNATIONAL EROSION CONTROL SYSTEMS

22253 Hoskins Line
Rodney, ON, N0L 2C0

Phone: 800-821-7462
Fax: 866-496-1990

www.iecs.com

PRECAST CONCRETE HEADWALL (4 PIECE) CONFORMS TO OPSD 804.040

DRAWN BY:

D. JOHNSTON

CHECKED BY:

L. ARVAI

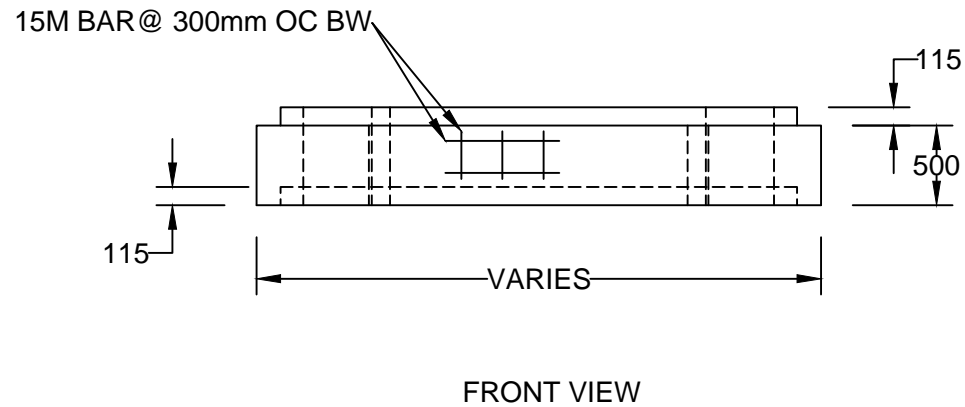
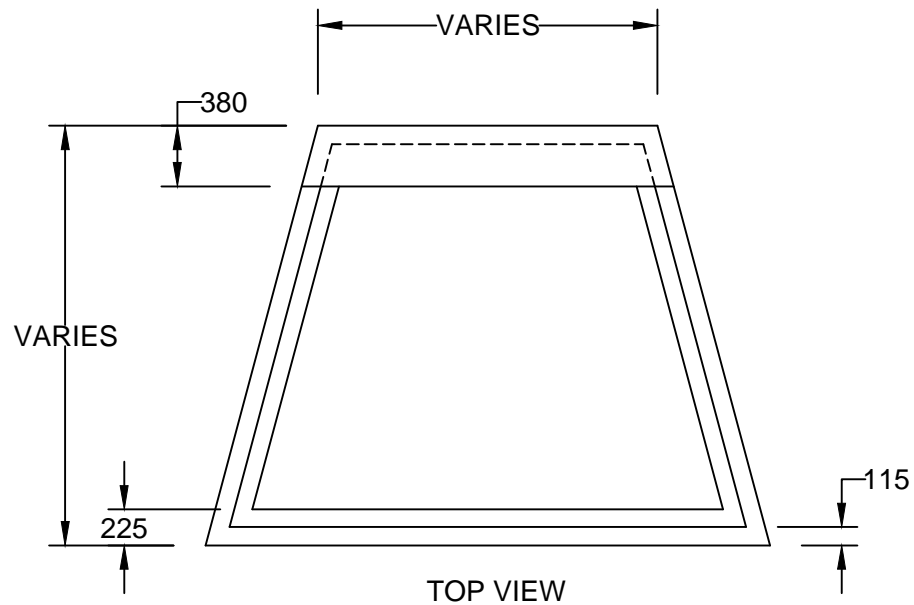
SCALE: N.T.S

DATE: 03/19/13

SHEET 2 OF 5



SECTION B



INTERNATIONAL EROSION CONTROL SYSTEMS

22253 Hoskins Line
Rodney, ON, N0L 2C0

Phone: 800-821-7462
Fax: 866-496-1990

www.iecs.com

PRECAST CONCRETE HEADWALL (4 PIECE) CONFORMS TO OPSD 804.040

DRAWN BY:

D. JOHNSTON

CHECKED BY:

L. ARVAI

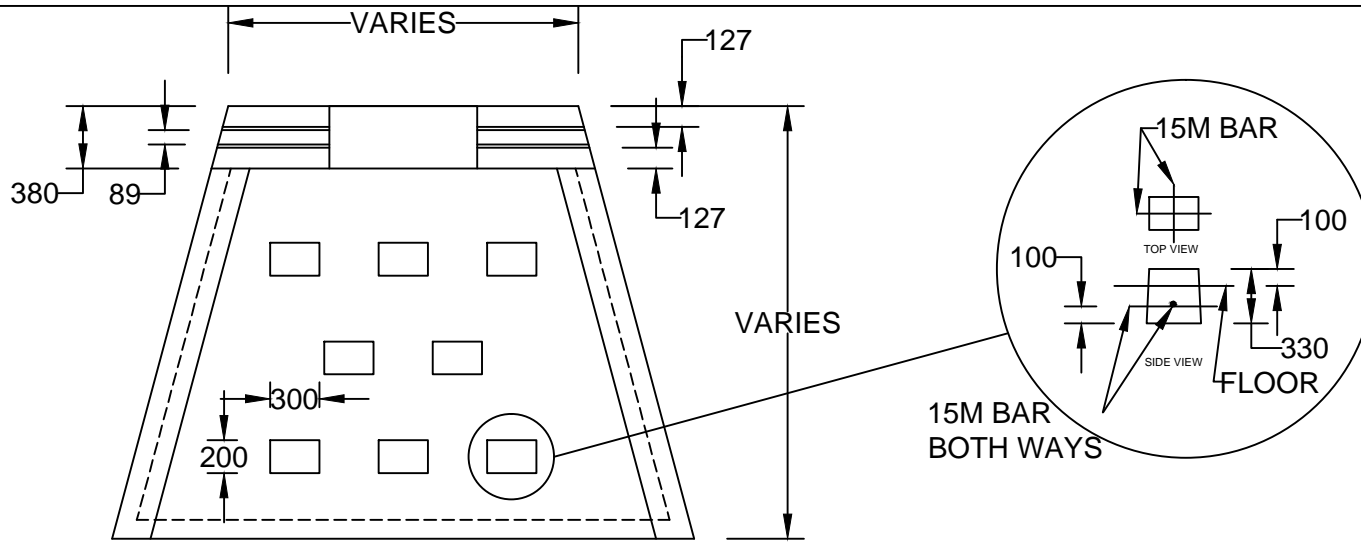
SCALE: N.T.S

DATE: 03/19/13

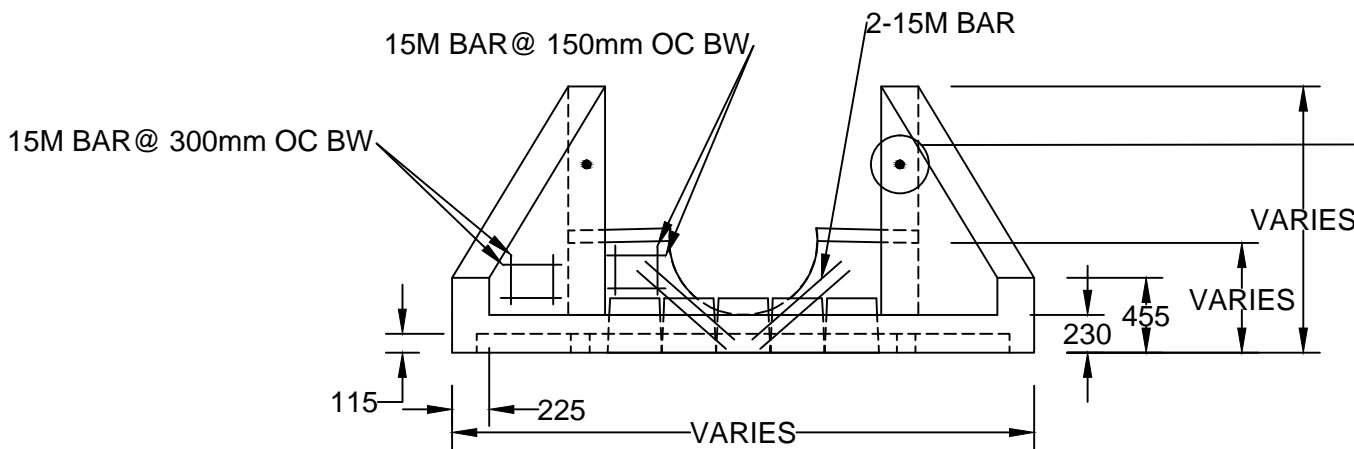
SHEET 3 OF 5



SECTION C

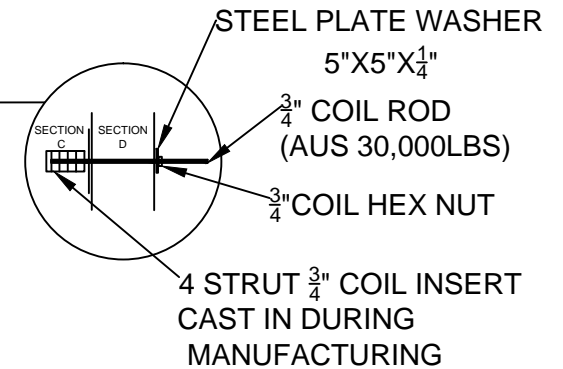


TOP VIEW



FRONT VIEW

CONNECTING HARDWARE



INTERNATIONAL EROSION CONTROL SYSTEMS

22253 Hoskins Line
Rodney, ON, N0L 2C0

Phone: 800-821-7462
Fax: 866-496-1990

www.iecs.com

PRECAST CONCRETE HEADWALL

(4 PIECE) CONFORMS TO OPSD 804.040

DRAWN BY:

D. JOHNSTON

CHECKED BY:

L. ARVAI

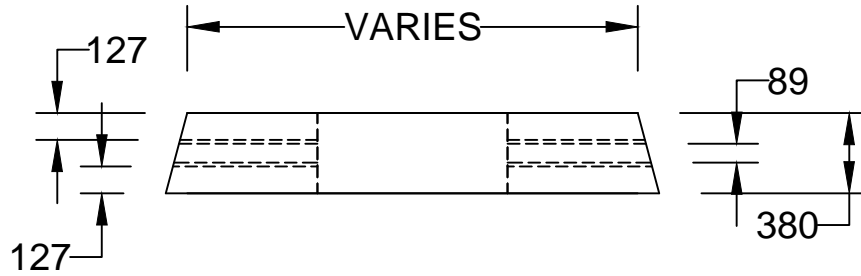
SCALE: N.T.S

DATE: 03/19/13

SHEET 4 OF 5

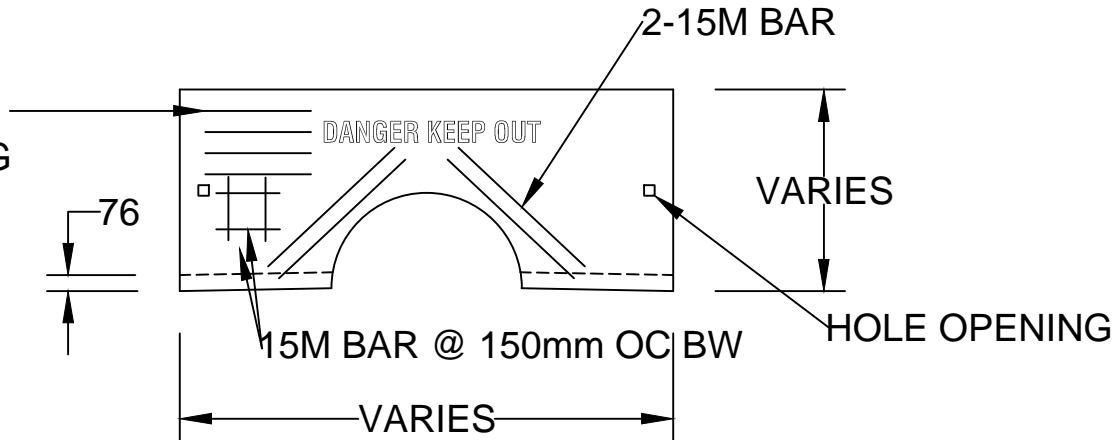


SECTION D



TOP VIEW

4-15M BAR FULL LENGTH ABOVE OPENING



FRONT VIEW



INTERNATIONAL EROSION
CONTROL SYSTEMS

22253 Hoskins Line
Rodney, ON, N0L 2C0

Phone: 800-821-7462
Fax: 866-496-1990

www.iecs.com

PRECAST CONCRETE HEADWALL
(4 PIECE) CONFORMS TO OPSD 804.040

DRAWN BY:

D. JOHNSTON

CHECKED BY:

L. ARVAI

SCALE: N.T.S

DATE: 03/19/13

SHEET 5 OF 5