

**NOTES:**

- A. CONCRETE TO BE 30MPA COMPRESSIVE STRENGTH AT 28 DAYS WITH 5-8% AIR ENTRAINMENT.
- B. REINFORCING BARS TO HAVE 75mm COVER  $\pm$  20mm.
- C. 25mm CHAMFERS ON ALL EXPOSED EDGES.
- D. OPSD 3940.150 "DANGER KEEP OUT" INCLUDED.
- E. PRECAST CONCRETE CHUTE BLOCKS 300X200X330mm HIGH AND PLACED AS REQUIRED(OPTIONAL).
- F. FLOOR SLAB TO BE CAST IN PLACE BY CONTRACTOR.
- G. GRANULAR BACKFILL TO BE PLACED TO 300mm MINIMUM THICKNESS ON ALL SIDES.
- H. GROUTING IS REQUIRED AROUND PIPE AND THE LIFING POCKETS.
- I. ALL DIMENSIONS ARE IN mm UNLESS OTHERWISE SHOWN.



## INTERNATIONAL EROSION CONTROL SYSTEMS

22253 Hoskins Line  
Rodney, ON, N0L 2C0

Phone: 800-821-7462  
Fax: 866-496-1990

[www.iecs.com](http://www.iecs.com)

### PRECAST CONCRETE HEADWALL (9 PIECE) CONFORMS TO OPSD 804.040

DRAWN BY:

D. JOHNSTON

CHECKED BY:

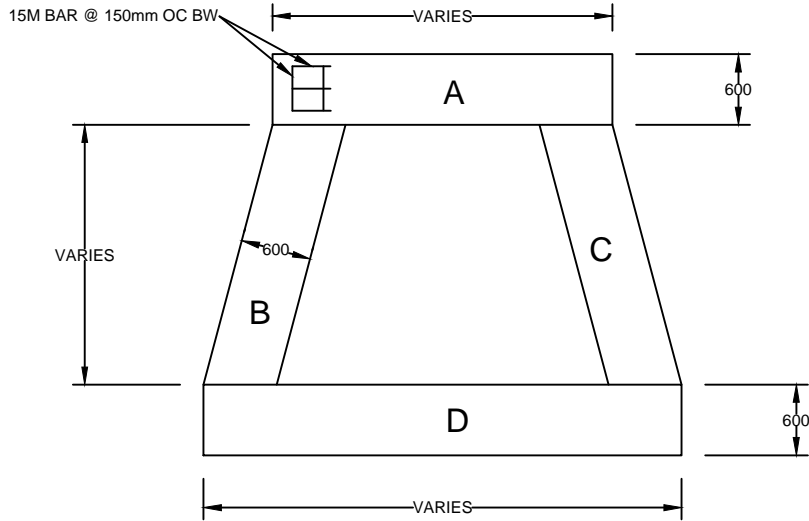
L. ARVAI

SCALE: N.T.S

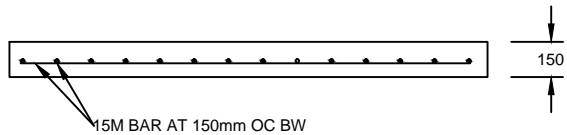
DATE: 04/01/13

SHEET 1 OF 4

# FOOTINGS A,B,C&D

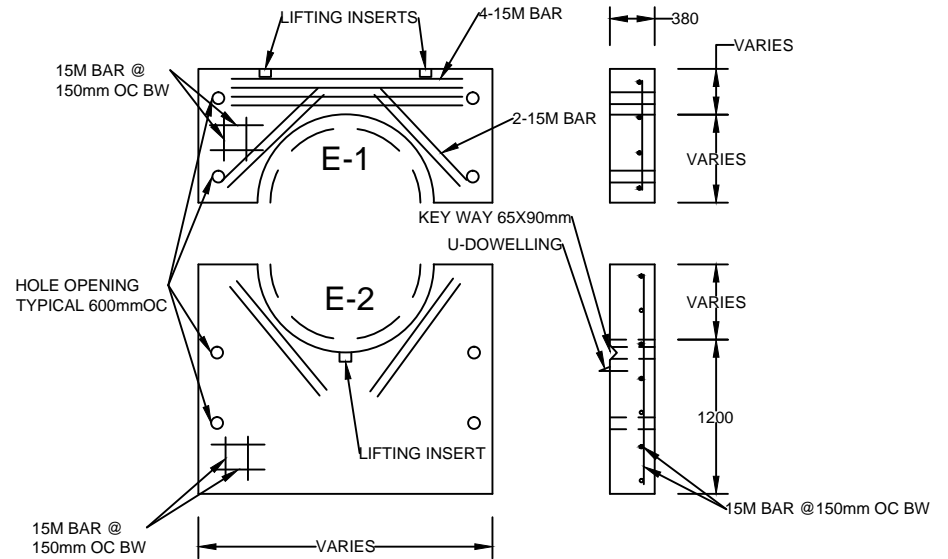


**TOP VIEW**



**CROSS SECTION**

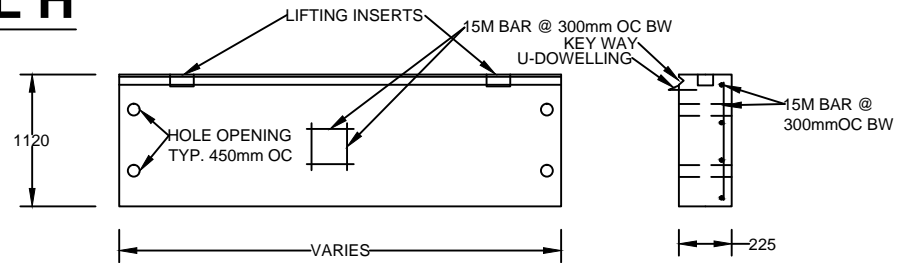
# PANELS E-1&E-2



**PLAN VIEW**

**END VIEW**

# PANEL H



**PLAN VIEW**

**END VIEW**



## INTERNATIONAL EROSION CONTROL SYSTEMS

22253 Hoskins Line  
Rodney, ON, N0L 2C0

Phone: 800-821-7462  
Fax: 866-496-1990

www.iecs.com

### PRECAST CONCRETE HEADWALL (9 PIECE) CONFORMS TO OPSD 804.040

DRAWN BY:

D. JOHNSTON

CHECKED BY:

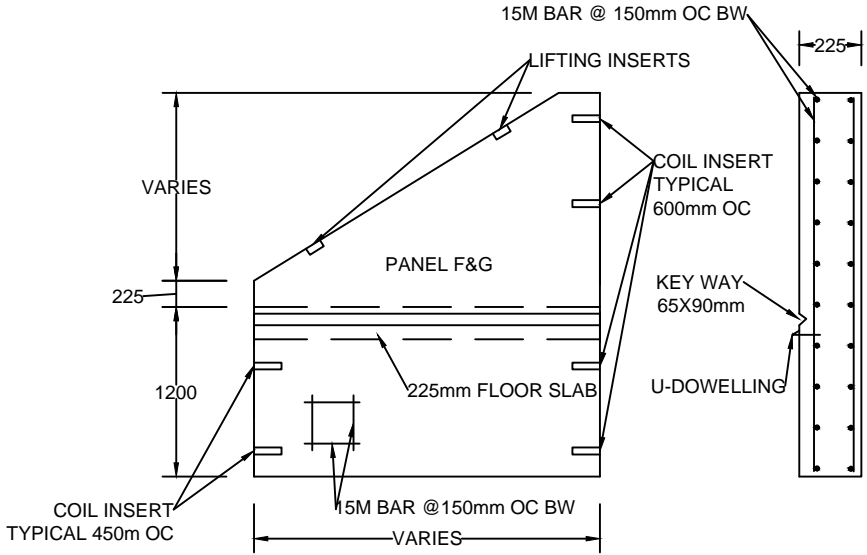
L. ARVAI

SCALE: N.T.S

DATE: 04/02/13

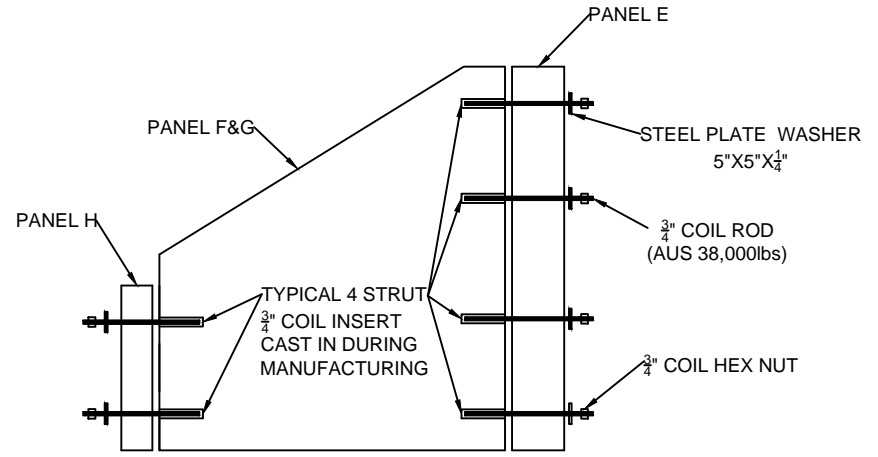
SHEET 2 OF 4

# PANELS F&G



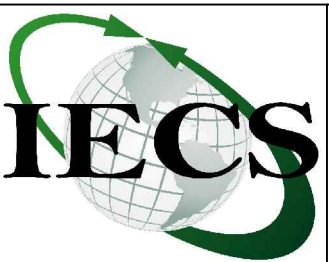
**PLAN VIEW**

**END VIEW**



**HARDWARE ASSEMBLY**

THE ATTACHED INFORMATION IS INTENDED FOR GUIDE LINE PURPOSES. IT IS THE ROLE RESPONSIBILITY OF THE USER TO ENSURE ACCURACY, SUITABILITY AND APPLICABILITY FOR USE. IECS DISCLAIMS ANY AND ALL LIABILITIES PERTAINING TO USE AND INSTALLATION OF PRECAST HEADWALLS AND OR OTHER PRODUCTS CONTAINED OR REFERRED TO HEREIN. ENSURE HEADWALL IS PLACED ON SUITABLE BASE.



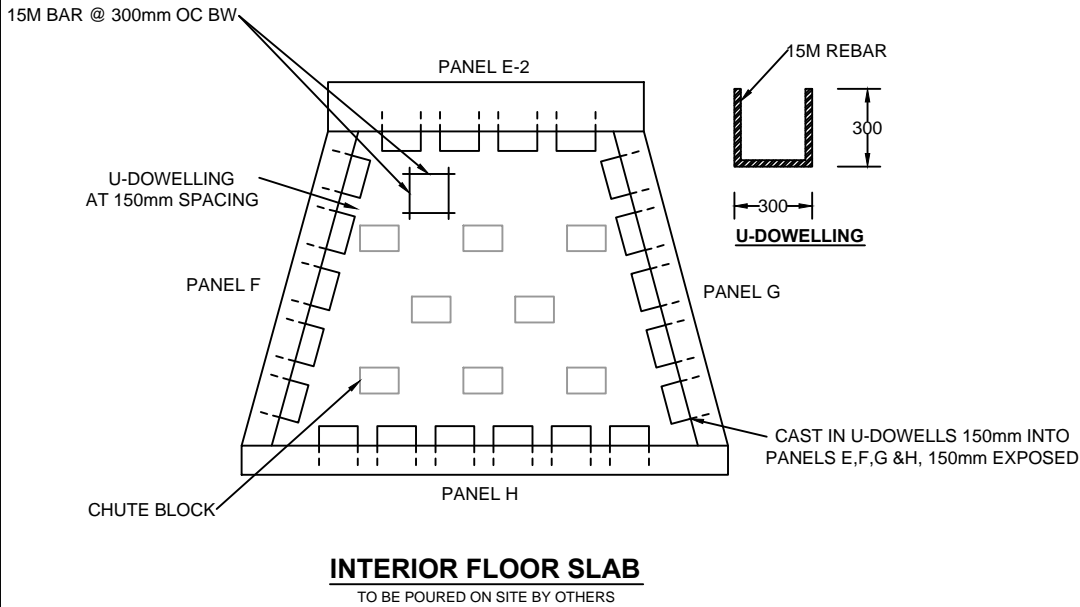
## INTERNATIONAL EROSION CONTROL SYSTEMS

22253 Hoskins Line  
 Rodney, ON, N0L 2C0  
 Phone: 800-821-7462  
 Fax: 866-496-1990  
[www.iecs.com](http://www.iecs.com)

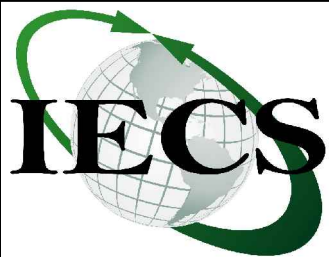
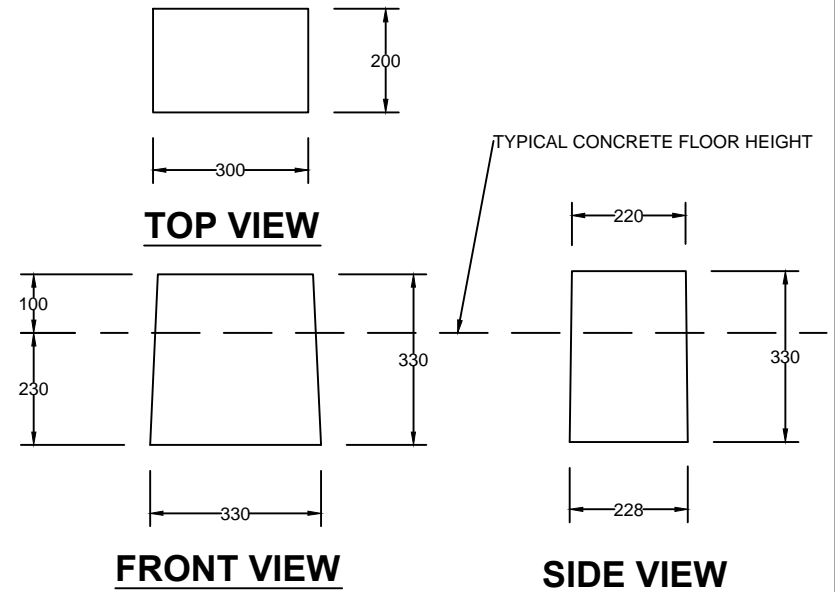
### PRECAST CONCRETE HEADWALL (9 PIECE) CONFORMS TO OPSD 804.040

DRAWN BY: D. JOHNSTON		CHECKED BY: L. ARVAI	
SCALE: N.T.S	DATE: 04/03/13	SHEET 3 OF 4	

# FLOOR LAYOUT



# PRECAST CONCRETE CHUTE BLOCK (OPTIONAL)



## INTERNATIONAL EROSION CONTROL SYSTEMS

22253 Hoskins Line  
Rodney, ON, N0L 2C0

Phone: 800-821-7462  
Fax: 866-496-1990

www.iecs.com

## PRECAST CONCRETE HEADWALL (9 PIECE) CONFORMS TO OPSD 804.040

DRAWN BY:

D. JOHNSTON

CHECKED BY:

L. ARVAI

SCALE: N.T.S

DATE: 04/05/13

SHEET 4 OF 4